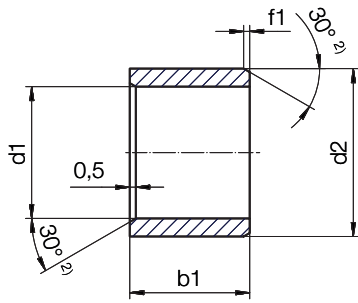


iglidur® J350 | 產品範圍

軸襯套 (型號 S)



²⁾ 厚度 < 1 mm : 導角 = 20°

倒角和 d1 的關係

d1 [mm]:	Ø 1-6	Ø 6-12	Ø 12-30	Ø > 30
f [mm]:	0.3	0.5	0.8	1.2

尺寸 [mm]

d1	d1- 公差 ³⁾	d2	b1 h13	產品型號
4.0		5.5	4.0	J350SM-0405-04
4.0		5.5	6.0	J350SM-0405-06
5.0	+0.010	7.0	5.0	J350SM-0507-05
5.0	+0.058	7.0	10.0	J350SM-0507-10
6.0		8.0	6.0	J350SM-0608-06
6.0		8.0	8.0	J350SM-0608-08
6.0		8.0	10.0	J350SM-0608-10
8.0		10.0	8.0	J350SM-0810-08
8.0		10.0	10.0	J350SM-0810-10
8.0		10.0	12.0	J350SM-0810-12
10.0	+0.013	12.0	8.0	J350SM-1012-08
10.0	+0.071	12.0	10.0	J350SM-1012-10
10.0		12.0	12.0	J350SM-1012-12
10.0		12.0	15.0	J350SM-1012-15
10.0		12.0	20.0	J350SM-1012-20
12.0		14.0	10.0	J350SM-1214-10
12.0		14.0	12.0	J350SM-1214-12
12.0		14.0	15.0	J350SM-1214-15
12.0		14.0	20.0	J350SM-1214-20
13.0		15.0	10.0	J350SM-1315-10
13.0		15.0	20.0	J350SM-1315-20
14.0	+0.016	16.0	15.0	J350SM-1416-15
14.0	+0.086	16.0	20.0	J350SM-1416-20
14.0		16.0	25.0	J350SM-1416-25
15.0		17.0	15.0	J350SM-1517-15
15.0		17.0	20.0	J350SM-1517-20
15.0		17.0	25.0	J350SM-1517-25
16.0		18.0	4.0	J350SM-1618-04

³⁾ 按壓組裝後 測試方法 ▶ 頁碼 57


 產品型號

類型 尺寸 [mm]

J350 S M-04 05-04

iglidur® 材質	型號 S	公制	內徑 - Ø d1	外徑 - Ø d2	長度 b1
-------------	------	----	-----------	-----------	-------

 尺寸符合 ISO 3547-1 標準
且提供特殊尺寸

 也可選用英制尺寸
▶ 見頁碼 1410

d1	d1- 公差 ³⁾	d2	b1 h13	產品型號
16.0		18.0	15.0	J350SM-1618-15
16.0		18.0	20.0	J350SM-1618-20
16.0	+0.016	18.0	25.0	J350SM-1618-25
18.0	+0.086	20.0	15.0	J350SM-1820-15
18.0		20.0	20.0	J350SM-1820-20
18.0		20.0	25.0	J350SM-1820-25
20.0		23.0	10.0	J350SM-2023-10
20.0		23.0	15.0	J350SM-2023-15
20.0		23.0	20.0	J350SM-2023-20
20.0		23.0	25.0	J350SM-2023-25
20.0		23.0	30.0	J350SM-2023-30
22.0		25.0	15.0	J350SM-2225-15
22.0		25.0	20.0	J350SM-2225-20
22.0		25.0	25.0	J350SM-2225-25
22.0		25.0	30.0	J350SM-2225-30
24.0		27.0	15.0	J350SM-2427-15
24.0	+0.020	27.0	20.0	J350SM-2427-20
24.0	+0.104	27.0	25.0	J350SM-2427-25
24.0		27.0	30.0	J350SM-2427-30
25.0		28.0	15.0	J350SM-2528-15
25.0		28.0	20.0	J350SM-2528-20
25.0		28.0	25.0	J350SM-2528-25
25.0		28.0	30.0	J350SM-2528-30
25.0		28.0	45.0	J350SM-2528-45
28.0		32.0	20.0	J350SM-2832-20
28.0		32.0	25.0	J350SM-2832-25
28.0		32.0	30.0	J350SM-2832-30
30.0		34.0	20.0	J350SM-3034-20

iglidur® J350 | 產品範圍

軸襯套 (型號 S)

尺寸 [mm]

d1	d1- 公差 ³⁾	d2	b1 h13	產品型號
30.0	+0.020	34.0	25.0	J350SM-3034-25
30.0		34.0	30.0	J350SM-3034-30
30.0	+0.104	34.0	40.0	J350SM-3034-40
32.0	+0.025	36.0	20.0	J350SM-3236-20
32.0		36.0	30.0	J350SM-3236-30
32.0	+0.125	36.0	40.0	J350SM-3236-40
35.0		39.0	20.0	J350SM-3539-20
35.0	+0.025	39.0	30.0	J350SM-3539-30
35.0		39.0	40.0	J350SM-3539-40
35.0	+0.125	39.0	50.0	J350SM-3539-50
40.0		44.0	20.0	J350SM-4044-20
40.0	+0.025	44.0	30.0	J350SM-4044-30
40.0		44.0	40.0	J350SM-4044-40
40.0	+0.125	44.0	50.0	J350SM-4044-50
45.0		50.0	20.0	J350SM-4550-20
45.0	+0.025	50.0	30.0	J350SM-4550-30
45.0		50.0	40.0	J350SM-4550-40
45.0	+0.125	50.0	50.0	J350SM-4550-50
50.0		55.0	20.0	J350SM-5055-20
50.0	+0.025	55.0	30.0	J350SM-5055-30
50.0		55.0	40.0	J350SM-5055-40
50.0	+0.125	55.0	50.0	J350SM-5055-50
50.0		55.0	60.0	J350SM-5055-60

d1	d1- 公差 ³⁾	d2	b1 h13	產品型號
40.0	+0.020	44.0	40.0	J350SM-4044-40
40.0		44.0	50.0	J350SM-4044-50
45.0	+0.025	50.0	20.0	J350SM-4550-20
45.0		50.0	30.0	J350SM-4550-30
45.0	+0.125	50.0	40.0	J350SM-4550-40
45.0		50.0	50.0	J350SM-4550-50
50.0	+0.025	55.0	20.0	J350SM-5055-20
50.0		55.0	30.0	J350SM-5055-30
50.0	+0.125	55.0	40.0	J350SM-5055-40
50.0		55.0	50.0	J350SM-5055-50
50.0	+0.025	55.0	60.0	J350SM-5055-60
50.0		55.0	60.0	J350SM-5055-60

³⁾ 按壓組裝後 測試方法 ▶ 頁碼 57



沒有找到您要的尺寸？

您是否需要其他長度、尺寸或公差？您在尋找一個特殊的設計或取代您應用的其他解決方案？請與我們聯絡。易格斯傾聽您的需求，並在短時間內迅速為您提供解決方案。



更多尺寸可現貨供應

超過 300 個尺寸可供選擇。線上搜尋您所需的軸承。

▶ www.igus.com.tw/iglidur-specialbearings